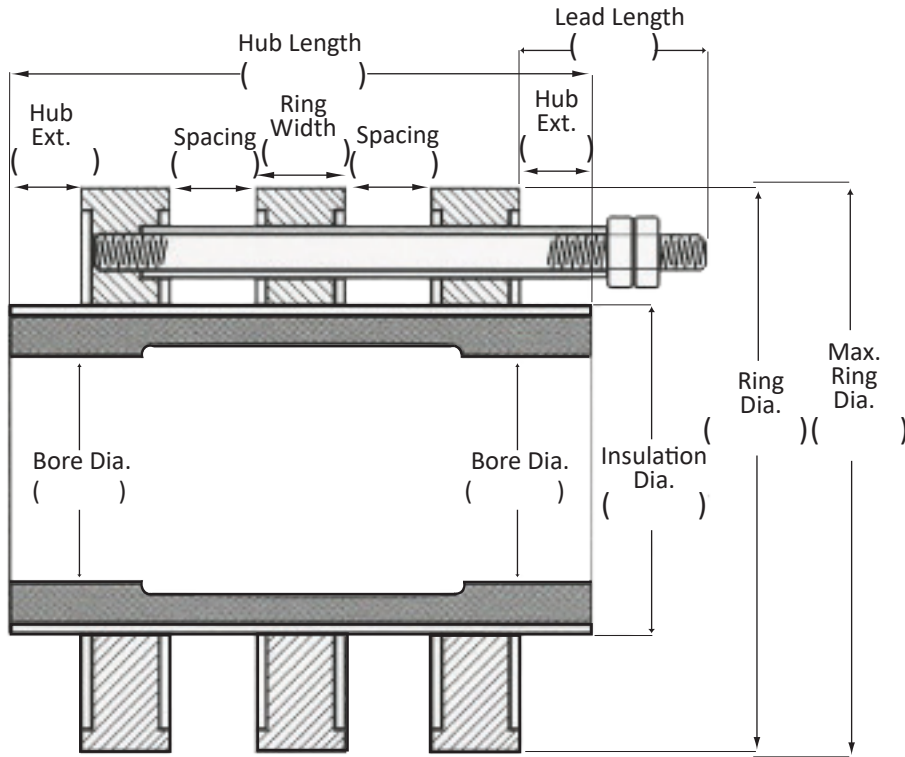
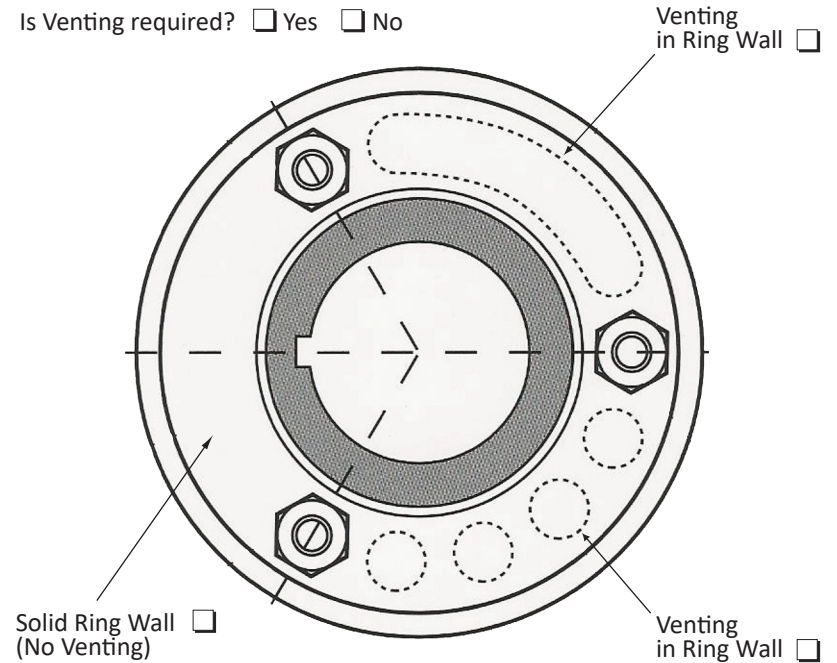




SLIP RING DATA CONFIRMATION



Is Venting required? Yes No



Original Mfr. : _____
 Frame No. : _____
 Model No. : _____
 Type : _____
 HP/KW : _____
 RPM : _____

RING MATERIAL
 Bronze Copper
 Steel Stainless Steel
 Other: _____

ADDITIONAL SLIP RING DATA
 Spiral Grooved Recessed

INSULATION BETWEEN RINGS
 Air Gap Insulation

SIZE OF LEADS: _____

NUMBER OF LEADS PER RING: _____

LEAD TYPE
 Round Flat Wire

LEAD MATERIAL
 Brass Copper Other: _____

Notes: (material changes, split ring requirements, etc.)

Your Job # : _____

Completed by : _____

Company : _____

Phone : _____

Fax : _____

E-mail : _____

SLIP RING TYPE

Number of rings: _____

Refillable Molded