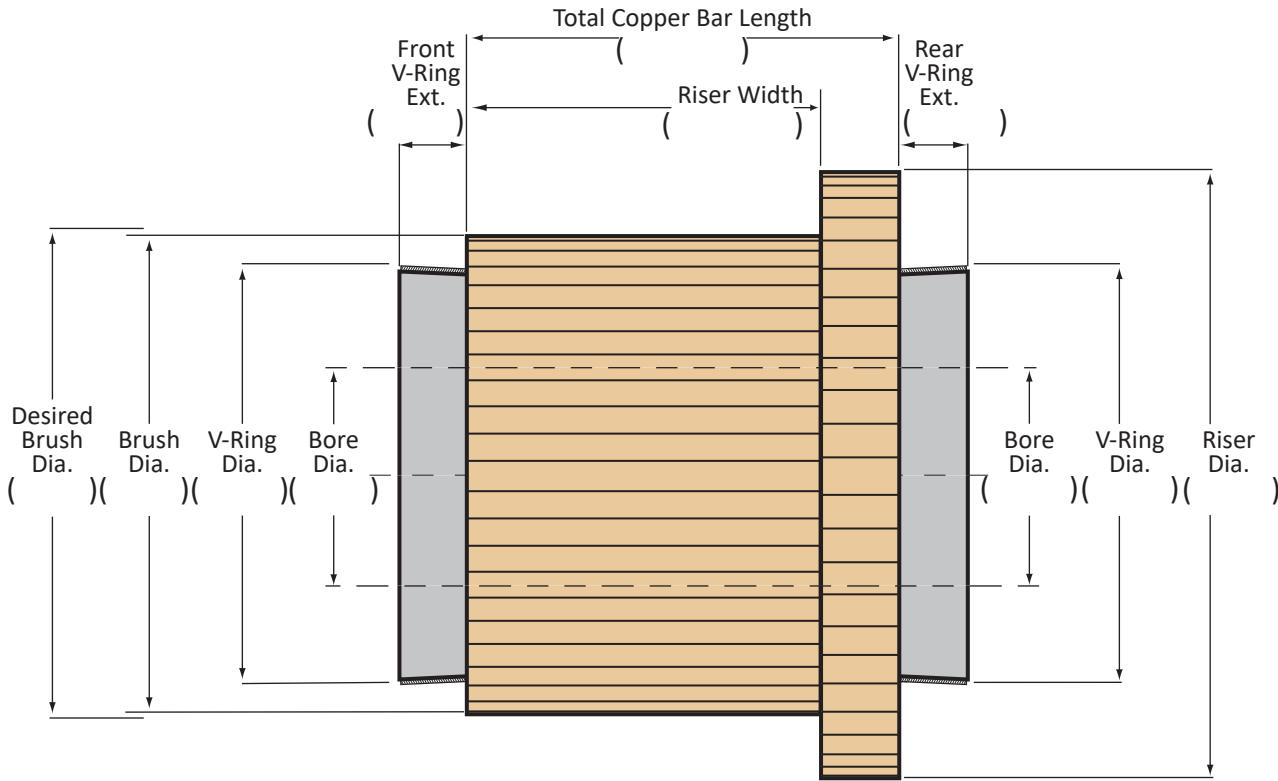




# COMMUTATOR DATA CONFIRMATION



## INDICATE RISER TYPE

Double Slot Solid Riser

Single Slot Solid Riser

Double Inserted Riser

Single Inserted Riser

Fold Over Tab

Other Riser Style: \_\_\_\_\_

Inserted Riser Thickness: \_\_\_\_\_

**COMMUTATOR TYPE**

- V-Ring
- Glassband
- External Steel Shrink Ring
- Internal Steel Shrink Ring
- Molded
- Rivet

Original Mfr. : \_\_\_\_\_

Frame No. : \_\_\_\_\_

Model No. : \_\_\_\_\_

Type : \_\_\_\_\_

HP/KW : \_\_\_\_\_

RPM : \_\_\_\_\_

# of Comm Bars : \_\_\_\_\_

Mica Thickness : \_\_\_\_\_

**OTHER SERVICES ADDED TO QUOTE:**

- Pre Undercutting
- Lashing / # of rows 1  2  3
- Buttons / # of rows 1  2  3
- Tinning Risers
- Wrapped Caps
- Bend in Riser
- Special Requests \_\_\_\_\_

Your Job # : \_\_\_\_\_

Completed by : \_\_\_\_\_

Company : \_\_\_\_\_

Phone : \_\_\_\_\_

E-mail : \_\_\_\_\_

Fax : \_\_\_\_\_